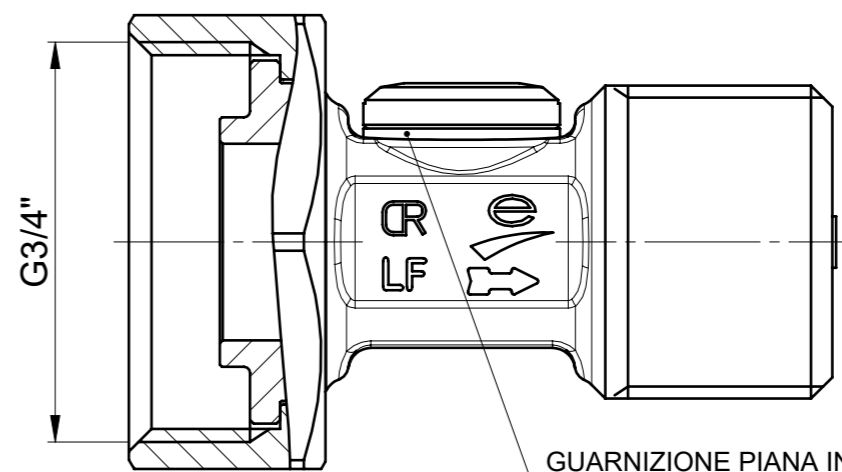
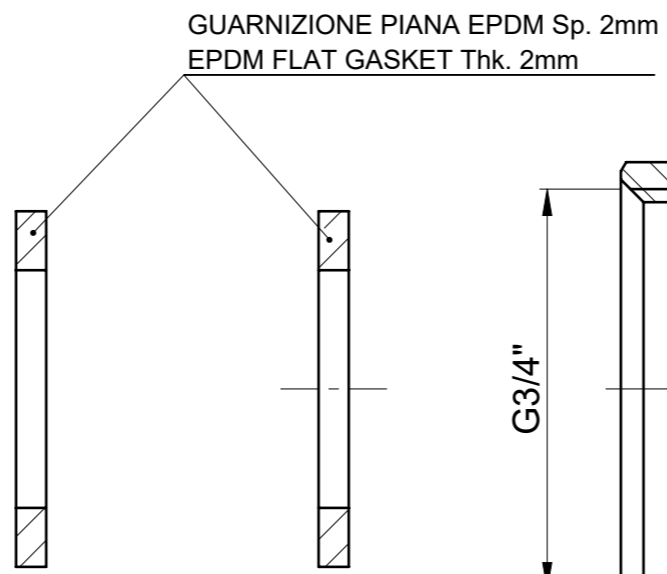
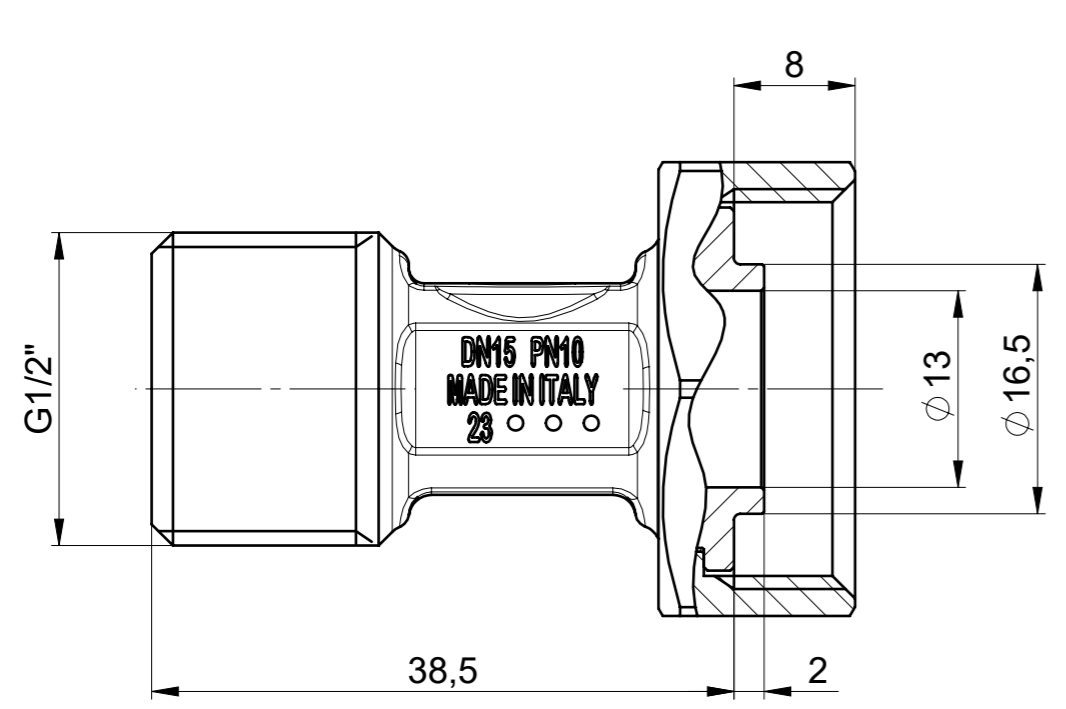
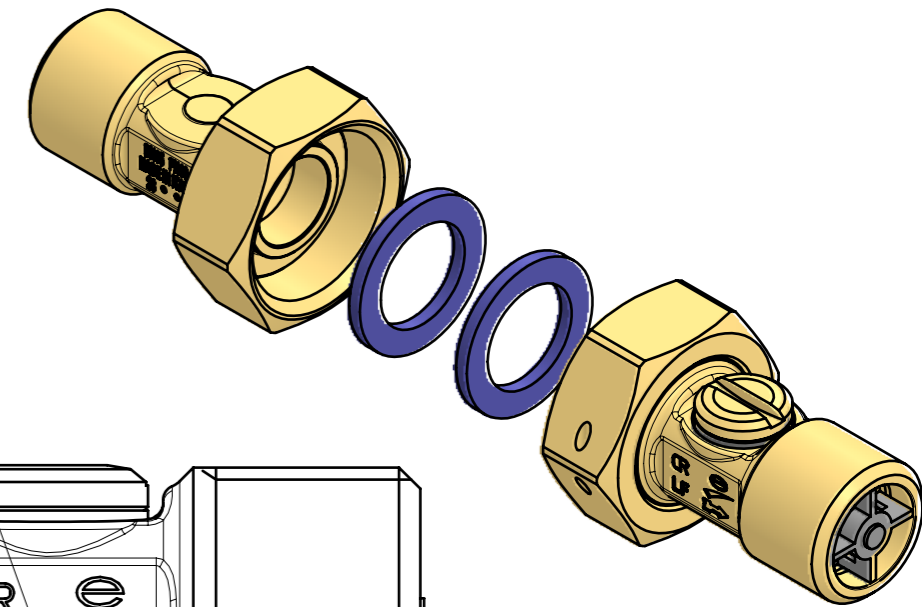
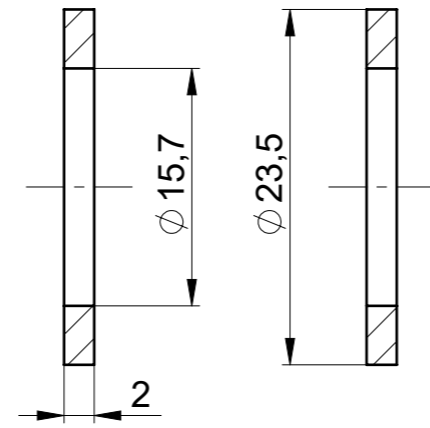
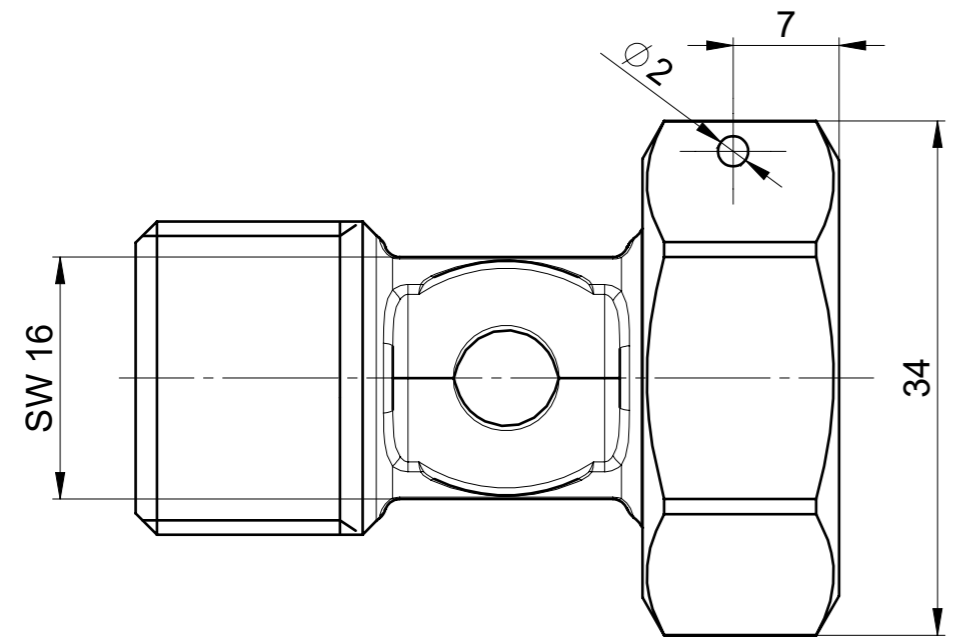


The exclusive ownership of this drawing is of Eurotermo Srl and in no case does the recipient acquire any rights relating to it. The recipient of the drawing undertakes to maintain maximum confidentiality on the same and not to make any use of it, in whole or in part, that is not previously authorized in writing by Eurotermo Srl. The recipient also undertakes to impose and guarantee compliance with the aforementioned obligations to its employees and / or collaborators, including external ones, by responding to Eurotermo Srl of any violations on their part.

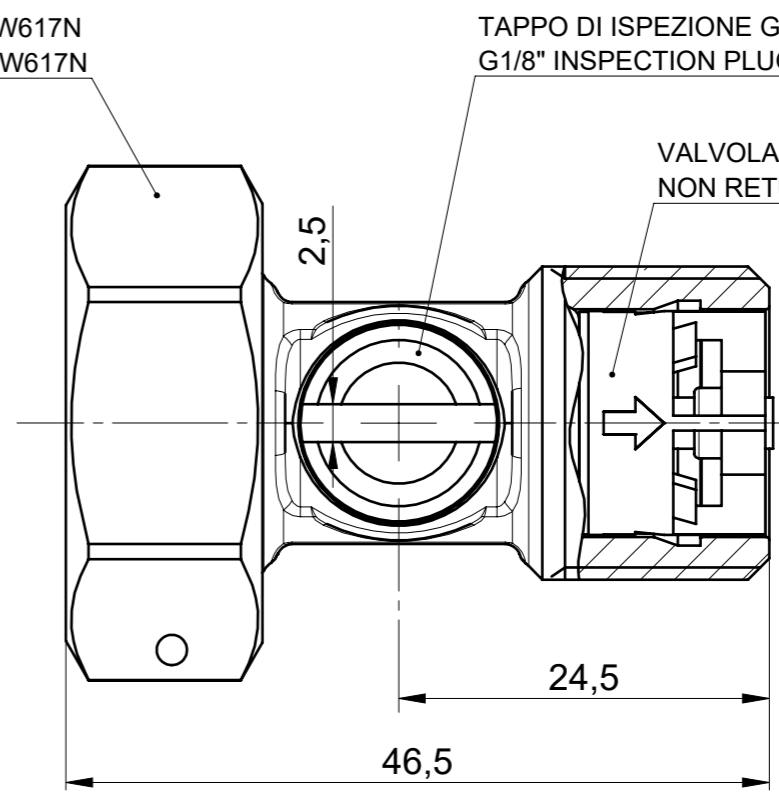
Normative / Stds reference UNI EN 13828:2004	Condizioni di utilizzo / Terms of Use	
Compatibilità / Compatibility UBA list	Acqua Pressione massima 10bar Temperatura massima in continuo 70°C Temperatura di picco 90°C Temperatura minima -10°C No SHOCK termico Funzionalità garantita solo a valvola aperta o chiusa, non parzialmente aperta o chiusa	Water Maximum pressure 10bar Maximum temperature in continuous 70°C Peak temperature 90°C Minimum temperature -10°C No thermal SHOCK Functionality is guaranteed only with open or closed valve, not partially open or closed
Certificazioni / Homologations		



GUARNIZIONE PIANA IN PTFE
PTFE FLAT GASKET

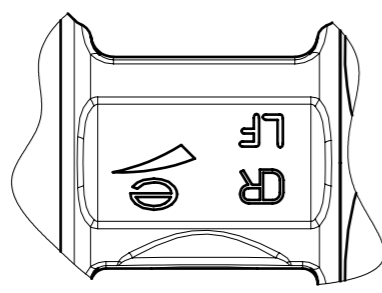


SWIVEL NUT CW617N
DADO FOLLE CW617N



TAPPO DI ISPEZIONE G1/8" CW724R
G1/8" INSPECTION PLUG CW724R

VALVOLA DI NON RITORNO
NON RETURN VALVE



	DISEGNATO/DRAWN S.Murari	DATA/DATE 11/04/2023	APPROVATO/CHECKED M.S.	DATA/DATE 11/04/2023	SCALA/SCALE 2:1	FORMAT A3
	MATERIALE BASE/BASE MATERIAL UNI EN 12165 CW724R	ASPETTO / APPEARANCE GIALLO SABBIAITO / BRASS SANDBLASTED				Datasheet
NUM.DIS/DRAW.-NR. K9000242-DS	DESCRIZIONE/DESCRIPTION KIT DI CONNESSIONE PER CONTATORI G1/2" M x G3/4" DADO FOLLE WATER METER CONNECTION KIT G1/2" M x G3/4" SWIVEL NUT					