

a. 55.165.5 size packaging category

- Brass grated waste**
 - c.p. brass grid $\phi 80$
 - outlet 1"¼
 - screw L. 75

$\phi 80 \times 1"¼$

10×box / 50 (T)

15



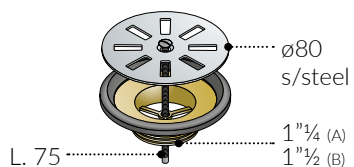
b. 55.165.6 size packaging category

- c.p. brass grid $\phi 80$
 - outlet 1"½
 - screw L. 75

$\phi 80 \times 1"½$

10×box / 50 (T)

15



a. 55.665.5 size packaging category

- Brass grated waste**
 - s/steel grid $\phi 80$
 - outlet 1"¼
 - screw L. 75

$\phi 80 \times 1"¼$

10×box / 50 (T)

15



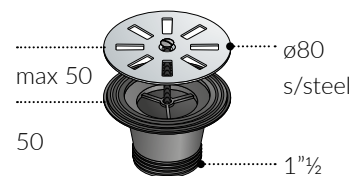
b. 55.665.6 size packaging category

- s/steel grid $\phi 80$
 - outlet 1"½
 - screw L. 75

$\phi 80 \times 1"½$

10×box / 50 (T)

15



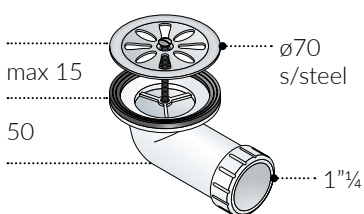
a. 255.665.6 size packaging category

- PP grated waste**
 - s/steel grid $\phi 80$
 - outlet 1"½
 - screw L. 75

$\phi 80 \times 1"½$

1×bag / 60 (W)

06



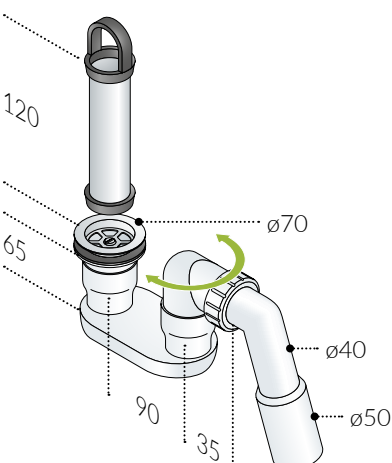
a. 255.670.5 size packaging category

- PP grated waste**
 - s/steel grid $\phi 70$
 - lateral outlet 1"¼
 - screw L. 35

$\phi 70 \times 1"¼$

1×bag / 30 (W)

06



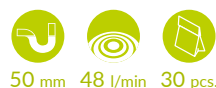
a. 2152.451.6 size packaging category

- PP stand pipe waste**
 - c.p. brass stand pipe H. 120
 - s/steel plate $\phi 70$
 - with adjustable trap
 - with PP 45° bended outlet $\phi 40/50$

$\phi 70 \times \phi 50$

1×bag / 30 (Q)

06



b. 2142.400.6 size packaging category

- c.p. brass stand pipe H. 120
 - s/steel plate $\phi 70$
 - without trap

$\phi 70 \times 1"½$

1×bag / 60 (B)

06

